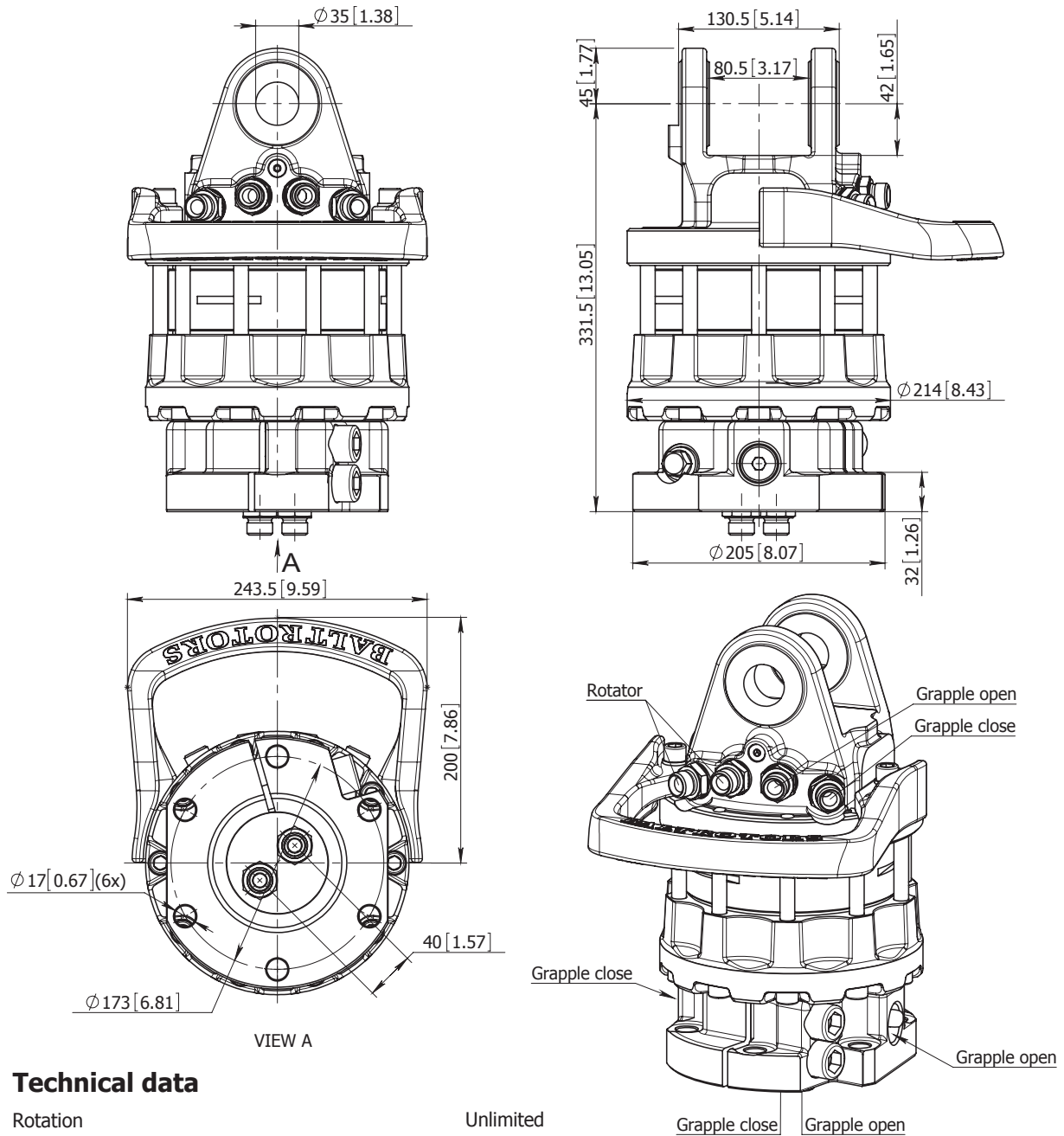


ROTATOR GR104DB



Technical data

| | |
|---------------------------------------|------------------------------|
| Rotation | Unlimited |
| Max axial load static, KN (lbf) | +100 (22485) - 80 (17985) |
| Max axial load dynamic, KN (lbf) | +50 (11242) - 40 (8992) |
| Torque at 25Mpa (3625psi), Nm (lb ft) | 2500 (1844) |
| Rec oilflow, l/min (US gallon) | 30 (7.9) |
| Weight, kg (lb) | 59 (130) |

Max working pressure:

| | | |
|----------------------|-----|-----------------------|
| Rotator | ←R→ | Max 25 MPa (3625 psi) |
| Grapple / Tool open | ←G→ | Max 30 MPa (4350 psi) |
| Grapple / Tool close | →G← | Max 30 MPa (4350 psi) |

Connection:

| |
|--------|
| G 1/2" |
| G 1/2" |
| G 1/2" |